

UC-2000

Isolated TTL USB to RS-232 Converter

DOC-DS-UC2000-V10-EN

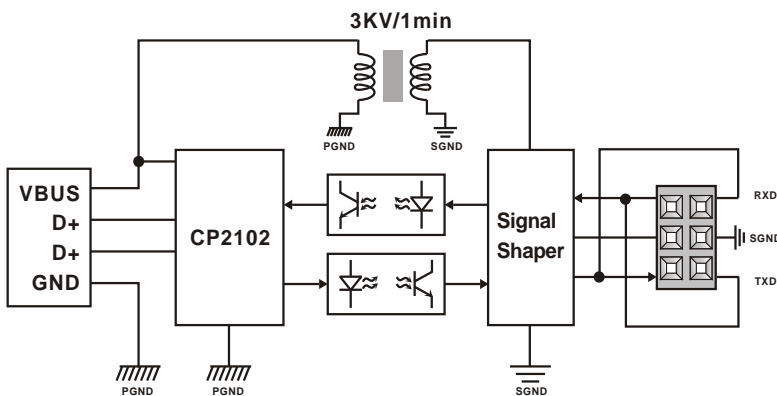
Introduction

INHAOS UC-2000 is a USB to RS-232 converter designed for engineers, this may be the smallest converter on the market. INHAOS engineers install the optical isolator and DC to DC isolator in a 50*17.5*7mm aluminum case. Good isolation and easy-carry makes it be good friend of the engineer.



Specifications

- Connection : 2.54mm Female Header 2×3pin
(TXD.GND.RXD) 500mm Cable
- USB to RS-232chip : CP2102 Form Silicon Laboratories
- USB spec: USB2.0 Full speed
- Support OS : Windows 98 or later
MAC OS-9
MAC OS-X
Linux 2.40
- Max Baud Rates:128Kbps
- Output Level : TTL-3.3
- Isolation voltage : 3KVrms/1minute



Functional Block Diagram

Where needs it ?

- RS-232 connection in different ground level
- Connection between electrostatic sensitive equipments and PC
- Connection between leakage-risky equipment and PC
- RS-232 serial interface circuit design and debug

Who needs it ?

- RS-232 interface design engineer
- Electrical isolate connection between equipment and PC
- Electrical isolate connection between PC and PCU

Headquarter :

540 Mill RiverLN San Jose,CA95134

TEL : +1-408-506-9612

E-mail : Yuming.liu@inhaos.com

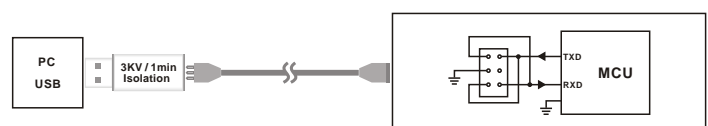
China :

No.6 Building,Songke Estate,Songshan Lake National Hi-tech Industrial Development Zone,Dongguan, Guangdong Province,China

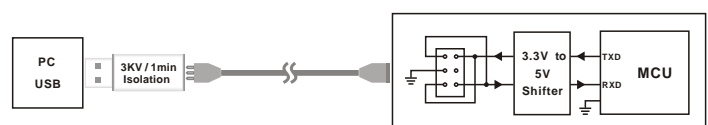
TEL : +86-769-38988860

E-mail : support@inhaos.com

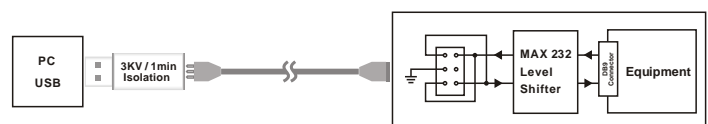
Applications:



Application 1 : 3.3V TTL Interface



Application 2 : 5V TTL Interface



Application 3 : For standard RS-232 equipment