

Relevant Device

This application note applies to the following device:

[UC-2102](#), [CH340G](#)

1 Summary

The UC-2102 and UC-340G use standard pin define as the Arduino USB2Serial Light cable, the pitch of the connector is 2.54mm , this interface was used for UNO Lite / Mega2560-Core / DUE-Core / etc. for some model (like UNO-Core / UNO NANO) , the board size is limit , so we reduce the pin pitch to 2.0mm , in this case , user need to use a 2.54mm to 2.0mm adaptor for the connection . **we call it S-Type convertor.**

Aduino used the DTR pin to reset the MCU, before uploading operate, Arduino IDE will pull-low the DTR pin, the DTR signal will generate a negative pulse through a capacitor to RESET pin of the MCU, to reset the MCU and then entry bootloader mode.

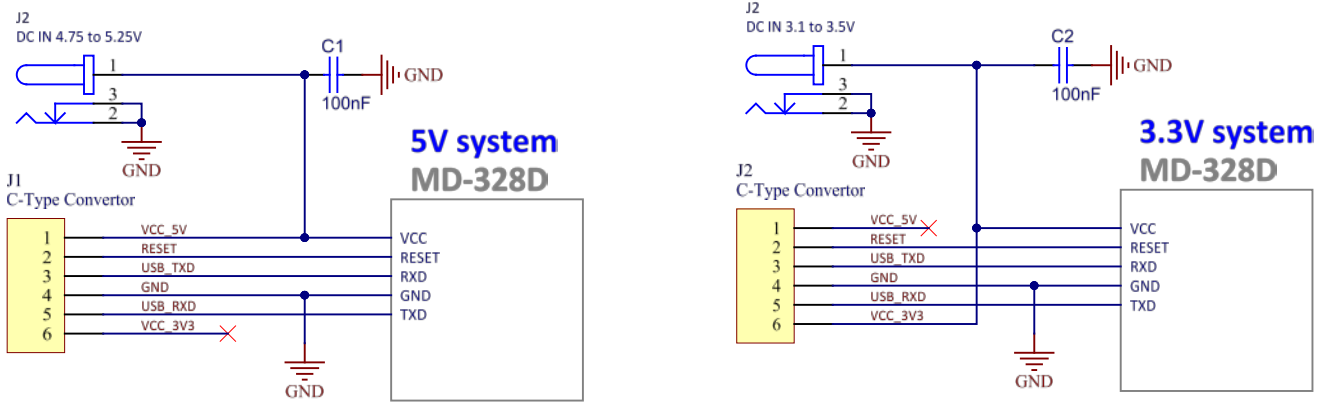
Most Arduino development board has put the circuit of DTR part on the board , but in some application , the board size is very compact , and the DTR part is not necessary , so we build a new convertor for this case , the new convertor has integrated a 3.3V LDO / DTR circuit , **we call it C-Type convertor** , it's used for compact Arduino development board , like RF-1531.

2 Difference of the both S-Type and C-Type convertor

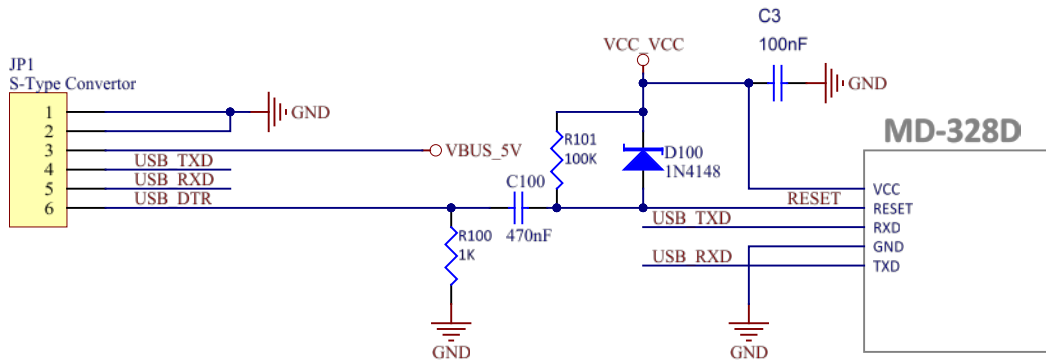
Item	S-Type Adaptor (Simple type)	C-Type Adaptor (Completed type)
Picture		
Schematic		
Pinout (2.0mm side)	<p>1 - GND 2 - GND 3 - VBUS (5V) 4 - USB_TXD 5 - USB_RXD 6 - DTR</p>	<p>1 - VCC_5V 2 - RESET 3 - USB_TXD 4 - GND 5 - USB_RXD 6 - VCC_3V3</p>
Application	<p>BUONO / Masduino UNO Lite BUONO / Masduino Core BUONO / Masduino NANO Mega2560-Core DUE-Core Etc.</p>	<p>INHAOS Smart System series: RF-1531 AL-1000 DM-1000 RM-1000 Etc.</p>

3 Application of the both S-Type and C-Type convertor

C-Type convertor application system:



S-Type convertor application system:



INHAOS Headquarter :

1111 Oakmont Drive #C, San Jose, CA 95117
E-mail : support@inhaos.com

INHAOS China office :

No.6 Building, Songke Estate, Songshan Lake National Hi-tech Industrial Development Zone, Dongguan, Guangdong Province. 523808, China

E-mail: Support@inhaos.com