

DAC-3000

Low Cost PWM to DAC Module

Features

- 1, Low Cost , easy to reach high resolutions DAC (depended on the PWM resolutions)
- 2, The Accuracy only depended on the REF voltage accuracy
- 3, Add Precision digital to analog convertor in any low cost system with PWM signal
- 4, The output Full scale voltage is depended on the VREF
- 5, The PWM digital noise will not impact the analog output signal

Specifications

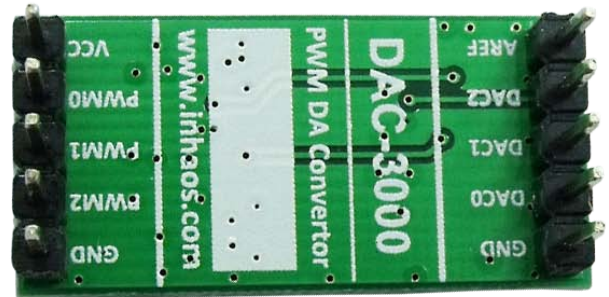
Signal Outputs

Analog Outputs

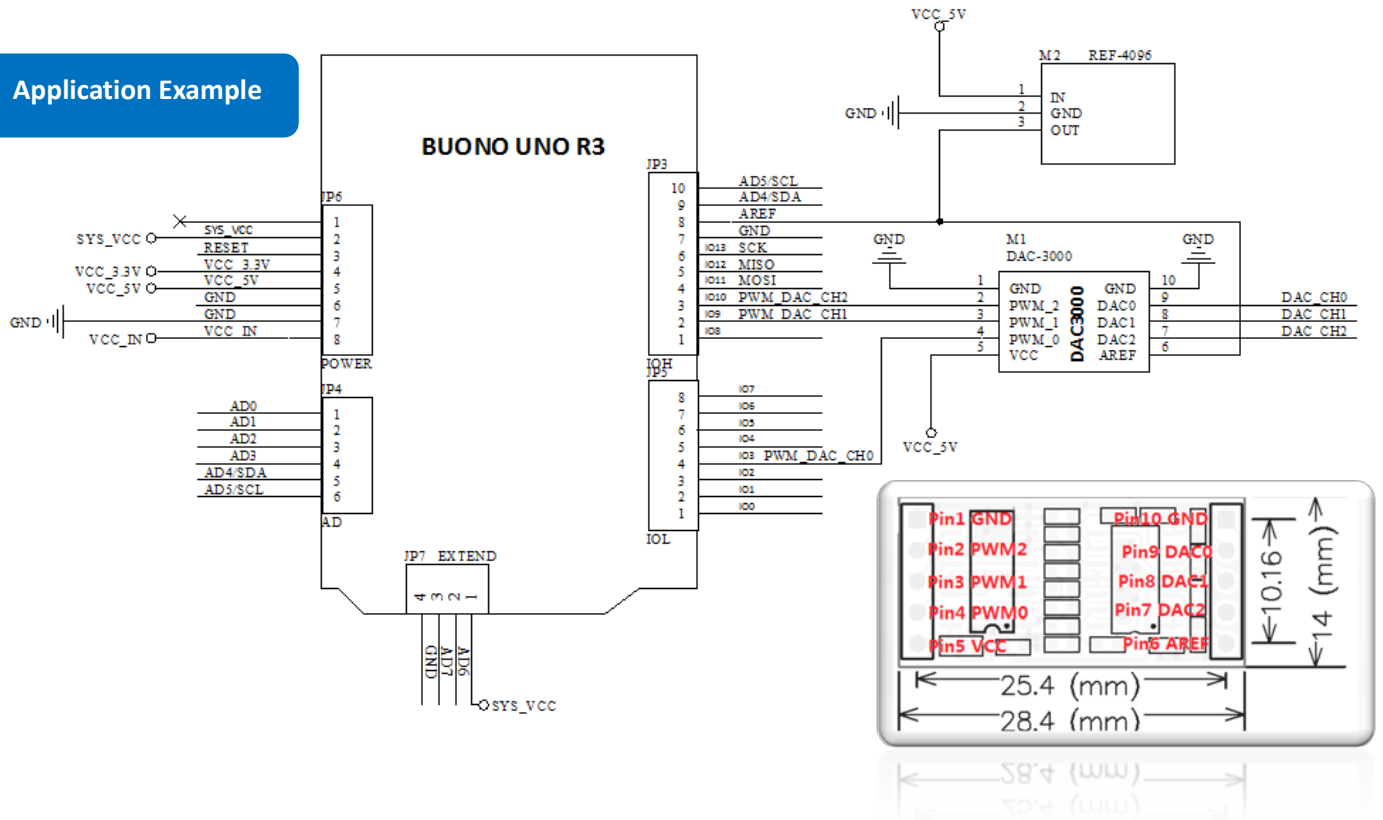
Number of Channels :	3
Full Scale Range :	0 to VREF
Resolutions :	Depended on the PWM resolutions
Supply Voltage:	3 to 5.5V
VREF Voltage:	3 to 5.5V (Do not higher than VCC)
Support PWM Frequency:	100Hz to 10KHz
Output Minimum Voltage:	6mV
Output Max Voltage:	VCC – 100mV
Output Current:	30mA

Environmental

Operation Temperature :	0°C to 55°C
Operating Humidity :	0 to 90% non-condensing
Storage Temperature :	-20°C to 65°C



Application Example



INHAOS Headquarter :

1111 Oakmont Drive #C, San Jose, CA 95117
E-mail : support@inhaos.com

INHAOS China office :

No.6 Building, Songke Estate, Songshan Lake National Hi-tech Industrial Development Zone, Dongguan, Guangdong Province, 523808, China

E-mail: Support@inhaos.com