

# REF-4096

## 4.096V 50ppm Precision Voltage References

### Features

- 1, Precision Voltage References
- 2, Output voltages: 4.096V
- 3, Initial Accuracy:  $\pm 1\%$ (Max)
- 4, Temperature Drift:  $\pm 50\text{ppm}/^\circ\text{C}$ (Max)
- 5, Output Current Drive:  $\pm 2\text{mA}$
- 6, Maximum Input Current:  $100\mu\text{A}$  @  $25^\circ\text{C}$
- 7, Industrial Temperature Range:  $-40$  to  $+85^\circ\text{C}$

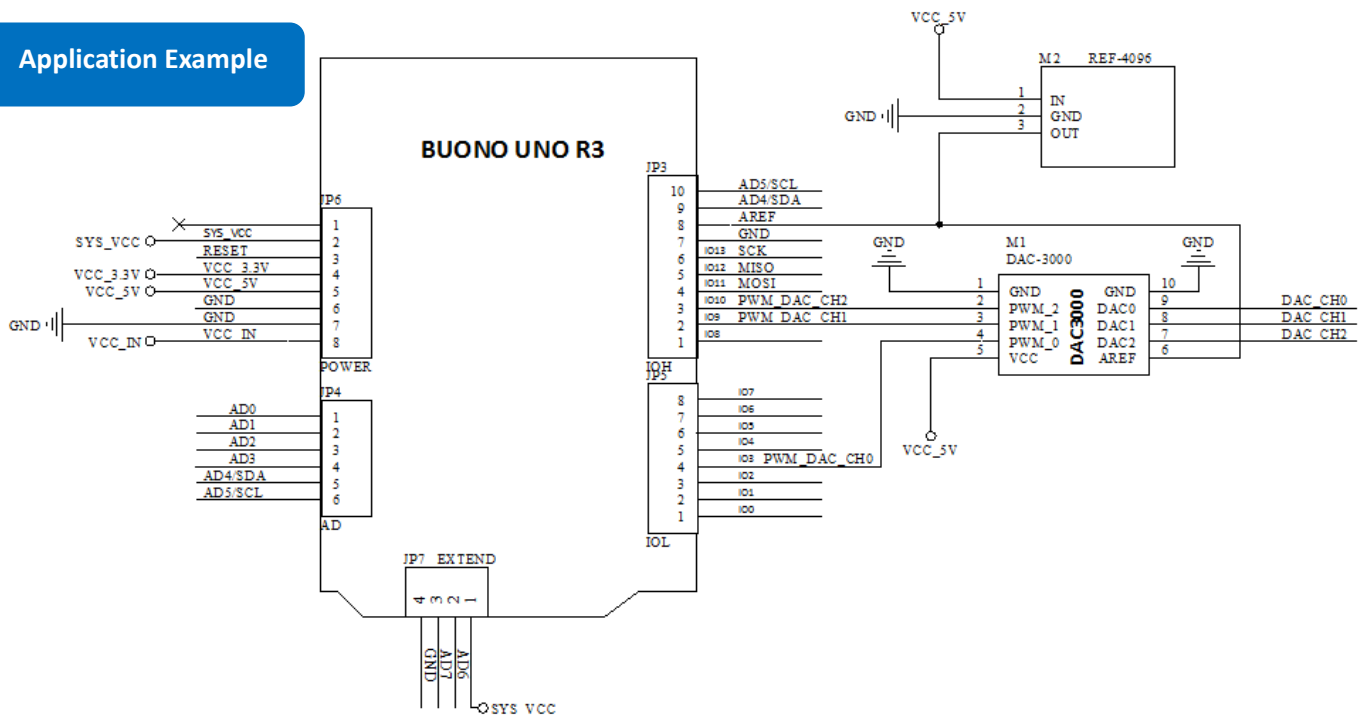
### Specifications

Input Voltage Range :	4.3 to 5.5V
Vout :	4.055V to 4.137V
Output Voltage Drift:	$\pm 50\text{ppm}/^\circ\text{C}$
Long-term output stability:	2ppm/Hr
Output Voltage Hysteresis:	115ppm
Max Load Current:	$\pm 8\text{mA}$
Chip:	<b>MCP1541</b> from MicroChip
Operation Temperature :	$0^\circ\text{C}$ to $55^\circ\text{C}$
Operating Humidity :	0 to 90% non-condensing
Storage Temperature :	$-20^\circ\text{C}$ to $65^\circ\text{C}$

Since the output voltage range is 4.055V to 4.173V , we will measurement the accurate voltage and written on the shielding box , please do not miss this import information.



### Application Example



#### INHAOS Headquarter:

1111 Oakmont Drive #C, San Jose, CA 95117  
E-mail : support@inhaos.com

#### INHAOS China office:

No.6 Building, Songke Estate, Songshan Lake National Hi-tech Industrial Development Zone, Dongguan, Guangdong Province, 523808, China

E-mail: Support@inhaos.com