

UC-3100P

Isolated USB to UART Converter

Features

- 2, USB 2.0 Full Speed (CP2102 from Silabs).
- 3, High common-mode transient immunity: >25 kV/uS
- 4, UL recognition: 3750 V rms for 1 minute per UL 1577
- 5, CSA Component Acceptance Notice 5A
- 6, VDE certificate of conformity
DIN V VDE V 0884-10
(VDE V 0884-10): 2006-12
VIORM = 560 V peak

Specifications

Electrical Characteristics

UC-3100P converter:

Power supply : Max 5V 35mA
 IO Level : TTL-3.3V / 5V
 BaudRate: 110bps to 1Mbps
 Vin: 3.3 to 5.5V
 Isolation: 3750V for 1 minute

TTL Cable:

IO Level : TTL-3.3V (w/o Vin)
 Follow the Vin (w/s Vin)
 BaudRate: 110bps to 1Mbps
 Arduino support: YES (DTR signal support)

RS-232 Cable(F/M):

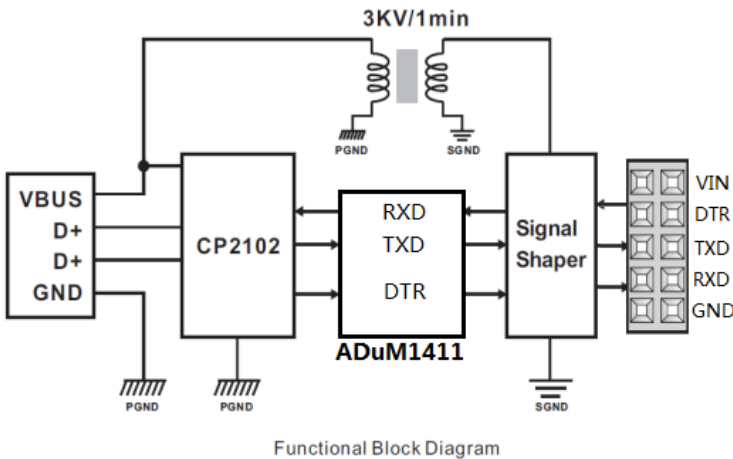
ESD Protection: ± 15 kV (HBM)
 BaudRate: 110bps to 1Mbps
 DTR signal: YES (Male DB9)
 NO (Female DB9)

RS-485 Cable:

ESD Protection: ± 18 kV (HBM)
 BaudRate: 300bps to 250Kbps
 Nodes: Up to 256 (1/8 unit load)

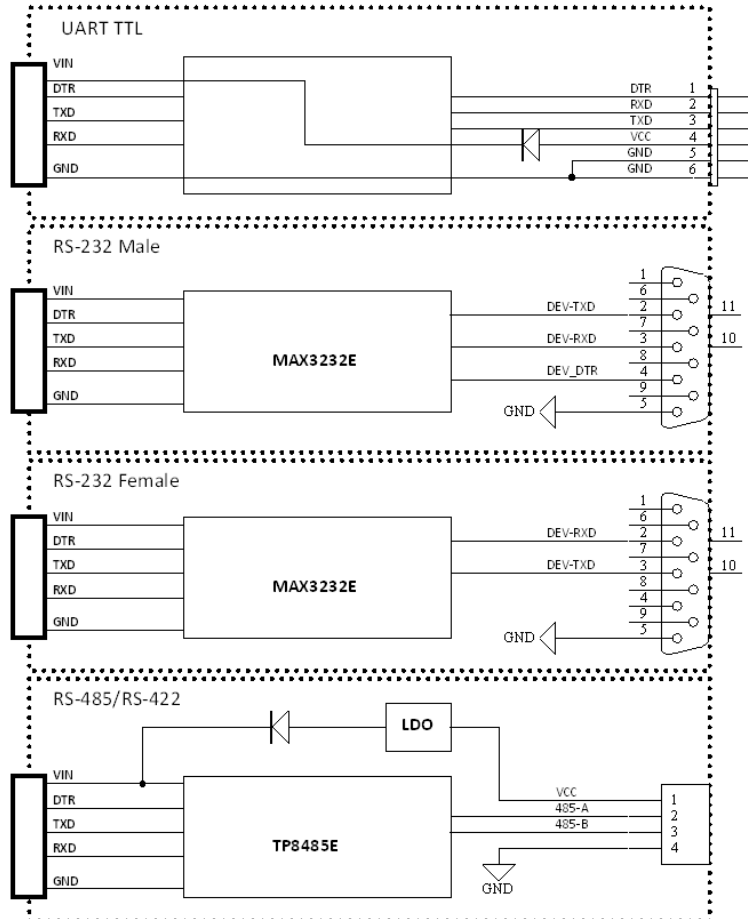
Environmental

Operation Temperature : 0°C to 55°C
 Operating Humidity : 0 to 90% non-condensing
 Storage Temperature : -20°C to 65°C



Driver available for :

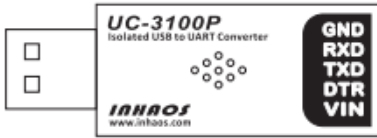
- WindowsXP/2K/vista/7/8/10
- WinCE
- Linux
- Mac OSX
- Android



UC-3100P

Isolated USB to UART Converter

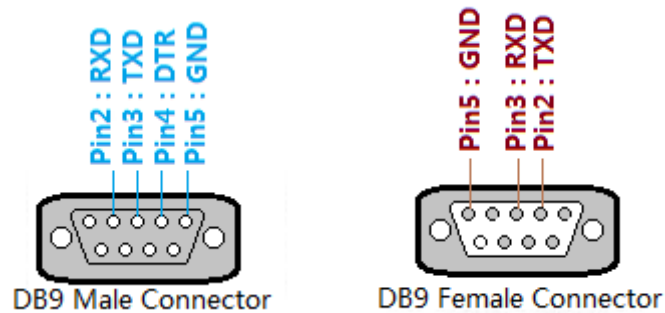
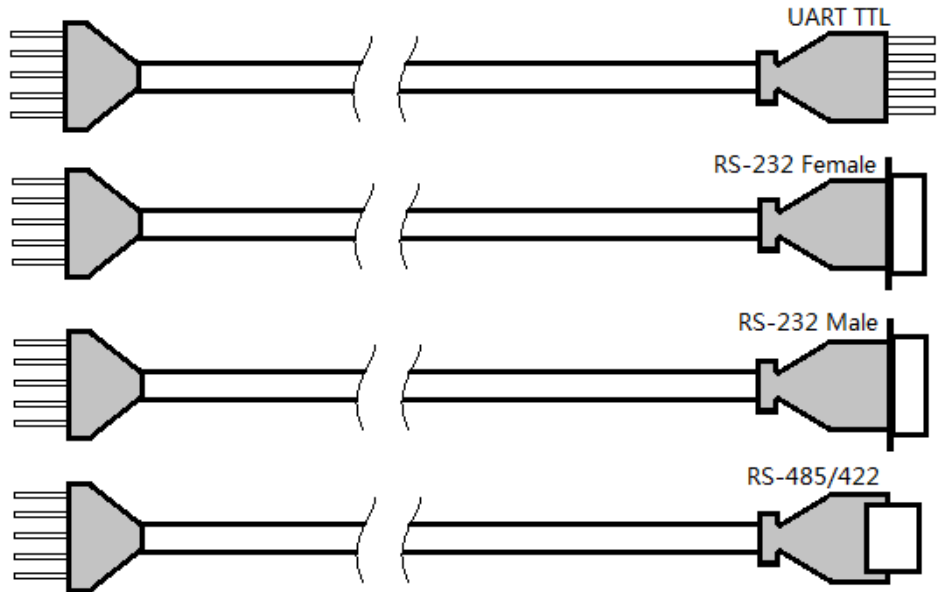
Uc-3100P Cable:



Note:

When using UART TTL cable , the default TTL level is 3.3V , if you want higher TTL level (eg. 5V) , you can connect VIN to 5V. the Max Vin is 5.5V.

UART TTL cable do not supply voltage to target board .



Resource:

- 1, CP2102 driver: <https://www.silabs.com/products/development-tools/software/usb-to-uart-bridge-vcp-drivers>
- 2, USBXPRESS® PROGRAMMER'S GUIDE: <https://www.silabs.com/documents/public/application-notes/AN169.pdf>
- 3, USB DRIVER CUSTOMIZATION: <https://www.silabs.com/documents/public/application-notes/an220.pdf>
- 4, CP210x/CP211x Device Customization Guide: <https://www.silabs.com/documents/public/application-notes/AN721.pdf>
- 5, CP2102 Datasheet: <https://www.silabs.com/documents/public/data-sheets/CP2102-9.pdf>
- 6, ADuM1411 datasheet: http://www.analog.com/media/en/technical-documentation/data-sheets/ADUM1410_1411_1412.pdf
- 7, MAX3232E datasheet: <https://datasheets.maximintegrated.com/en/ds/MAX3222-MAX3241.pdf>
- 8, TP8485E datasheet: http://www.3peakic.com.cn/resources/download/TP8485E_RevA.01.pdf
- 9, UC-3100P: http://www.inhaos.com/product_info.php?products_id=124

Package List:

- | | |
|-----------------------------------|-----|
| 1, UC-3100P USB to UART converter | x 1 |
| 2, UART TTL Cable | x 1 |
| 3, RS-232 Female Cable | x 1 |
| 4, RS-232 Male Cable | x 1 |
| 5, RS-485/422 Cable | x 1 |

INHAOS China office:

No.1 XinWei First Alley, GaoTianFang, DongCheng District,
DongGuan City, GuangDong 523112 China

E-mail: Support@inhaos.com

