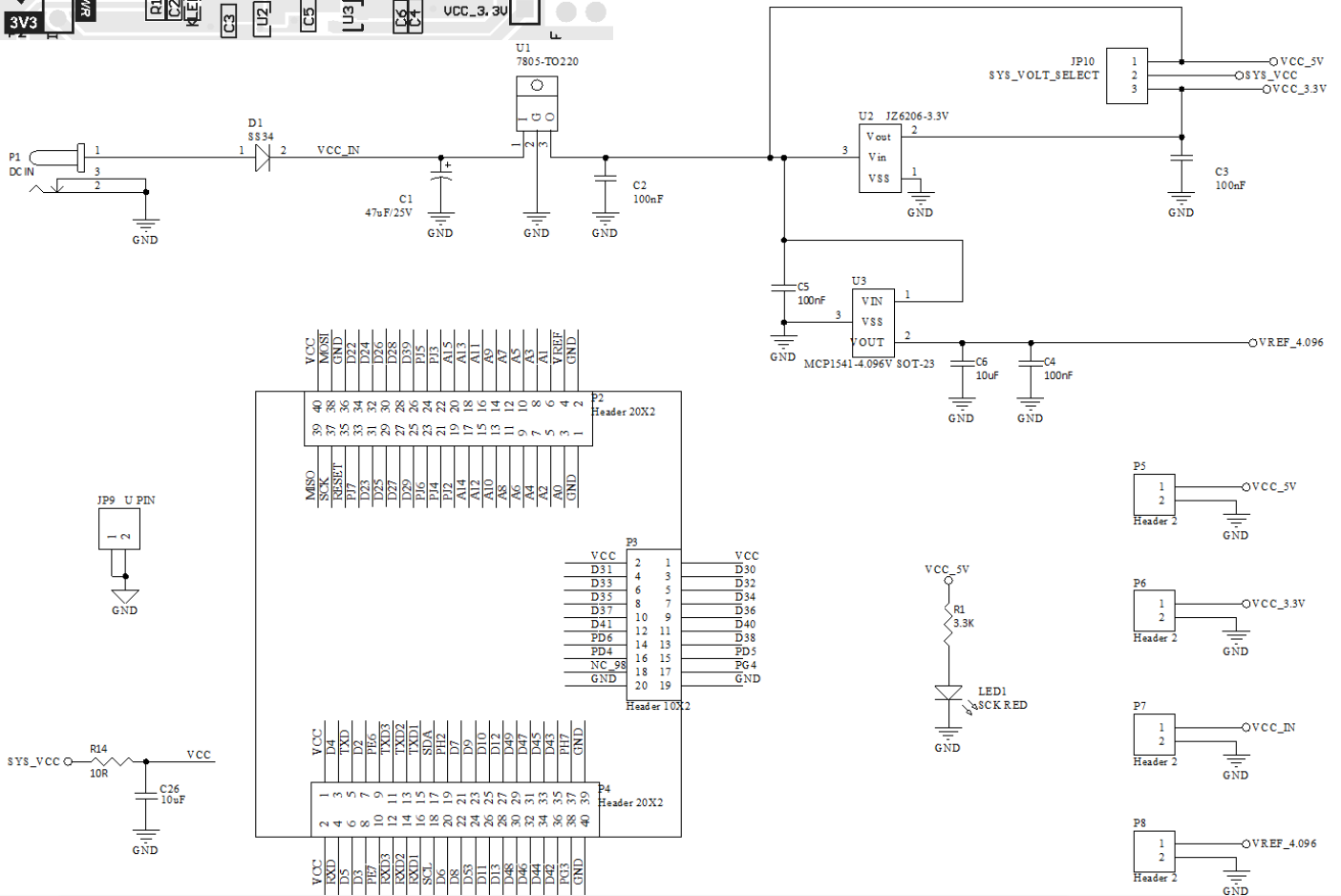
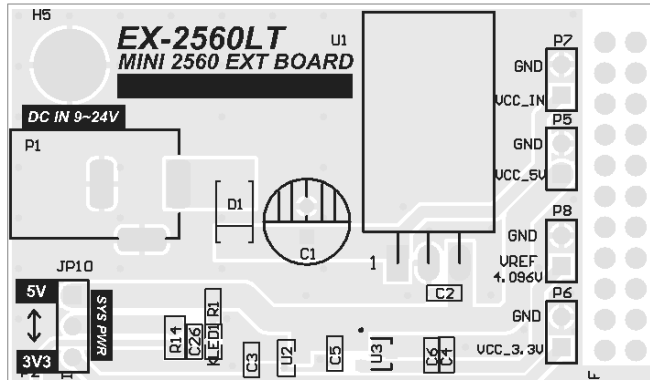
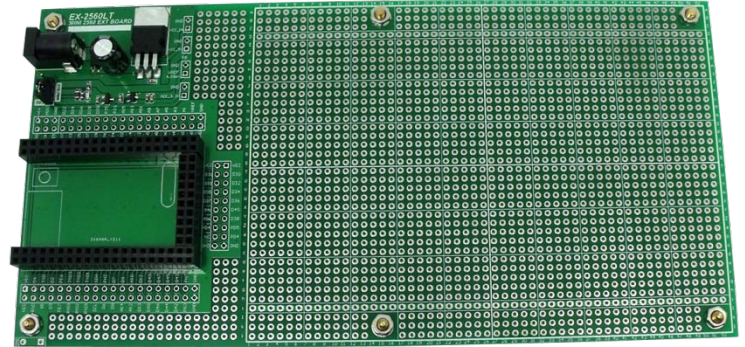


EX-2560LT

Mini 2560 Extended Board Lite

Features

- 1, Designed for Mini2560 (INHAOS Mega2560 Core)
- 2, Onboard 5V linear voltage regulator
- 3, Onboard 3.3V 300mA LDO
- 4, System voltage can be select between 5V and 3.3V
- 5, Onboard 4.096V precision voltage reference
- 6, Big DIY zone for user DIY using
- 7, 100x200mm



INHAOS Headquarter:

1111 Oakmont Drive #C, San Jose, CA 95117
E-mail : support@inhaos.com

INHAOS China office:

No.6 Building, Songke Estate, Songshan Lake National Hi-tech Industrial Development Zone, Dongguan, Guangdong Province, 523808, China

E-mail: Support@inhaos.com