

UC-2000

Isolated TTL USB to RS-232 Converter User's Guide

INHAOS™

www.inhaos.com



INTRODUCTION

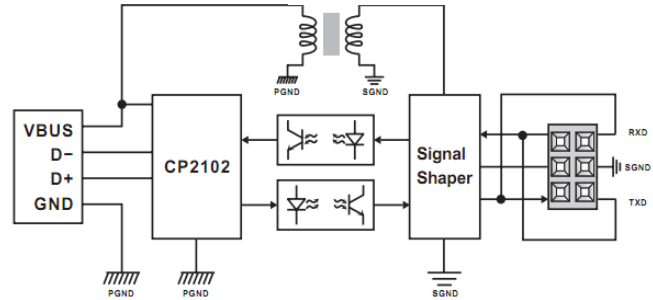
The UC-2000 use Silicon labs CP2102 chipset, The VCP Driver supported Windows98 SE/2000/XP/Vista/7 and MAC OS-9/-X and Linux2.40, User also can write USB communication software with USBXpress driver for direct USB communication with CDC.

User can customize the USB Vendor ID, Product ID, Product Description String, Power Descriptor, Device Release Number, and Device Serial Number as desired for OEM applications.

More information and tools please visit silicon labs website:
<http://www.silabs.com/products/interface/usbtouart/Pages/usb-to-uart-bridge.aspx>

FEATURES / PARAMETERS

- USB Bus-powered
- Integrated 1023-Bytes EEPROM for customize setting
- USB 2.0 Full-speed (12Mbps)
- UART Data format supported:
 - Data bits: 5,6,7, and 8
 - Stop bits: 1,1.5 and 2
 - Parity: odd, even, mark, space, no parity
 - Baud rates: 300bps to 128Kbits
 - 756 Byte receive buffer, 640 Byte transmit buffer
 - Hardware or X-On/X-Off handshaking supported
 - Event character support
 - Line break transmission
- Virtual COM Port device Drivers work with existing COM Port PC applications
- USBXpress Direct Driver Support
- 3-line UART interface (TXD-GND-RXD)
- TTL/COMS 3.3V Standard lever
- Aluminum Nano case make carry easiest
- Output 6-pin connector with special design, undirected connection to make connection easiest
- Integrated Nano 5V isolated DC/DC converter – no extend power supply needed



- Electrical parameter:
 - Voltage supply for USB: DC 5V
 - Current consumption: Max 280mA
 - Output high level: >2.8V @ 10mA load
 - Output low level: <0.6V @ 10mA sink
 - Input high level: >2.5V typical
 - Input low level: <0.8V typical
- Mechanical parameter:
 - Dimension: 50.5x17.5x7 mm
 - Weight:
- Temperature:
 - Suitable Temperature: +5° C to +40° C
 - Storage Temperature: -15° C to +75° C
- Humidity:
 - 80% RH to atleast +75° C

CONNECTION

1

Open the package

**2**

Plug the cable into the 6pin connector without direction, start to use.



ADVANCED APPLICATIONS

- 1, CP2102 Driver download: <http://www.silabs.com/products/interface/usbtouart/Pages/usb-to-uart-bridge.aspx>
- 2, Application note for CP2102 chipset: <http://www.silabs.com/products/interface/usbtouart/Pages/usb-to-uart-bridge.aspx>
 AN144: CP21xx Device Customization Guide
 AN169: USBXpress® Programmer's Guide
 AN197: Serial Communications Guide for CP210x
 AN205: CP210x Baud Rate Support
 AN220: USB Driver Customization
 AN335: USB Driver Installation Utility
 AN571: CP210x Virtual COM Port Interface

Contact us:

Dongguan China:

No.6 Building,Songke Estate,Songshan Lake National Hi-tech Industrial Development Zone,Dongguan,Guangdong Province, 523808,China
 Contact : Vivian Wu
 Tel No.: +86-769-38988860
 Fax No.: +86-769-81195181
 E-mail: Support@inhaos.com

EBAY Shop:

<http://stores.ebay.com/Electronic-in-house>

Contact us:

Headquarter:

540 Mill River LN San Jose, CA95134
 Contact: Yuming Liu
 Tel No.: +1-408-506-9612
 E-mail : Yuming.Liu@inhaos.com